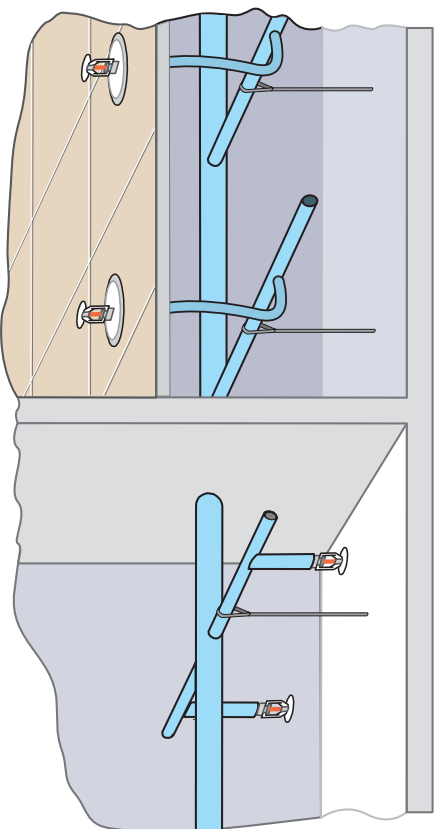
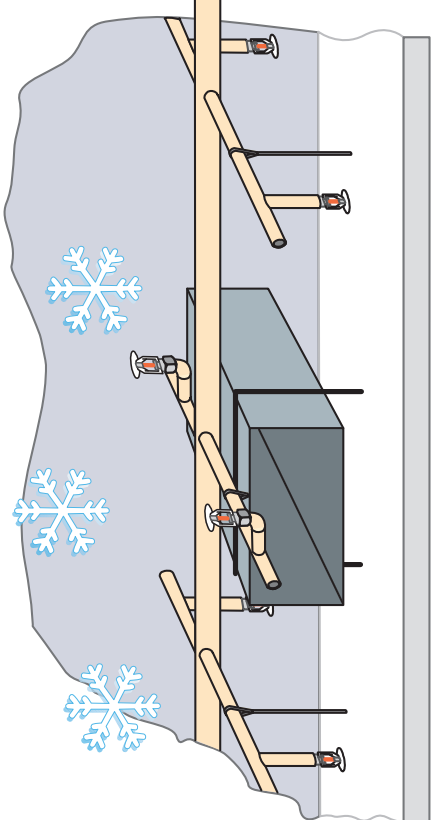


Wetpipe system for frost-protected areas

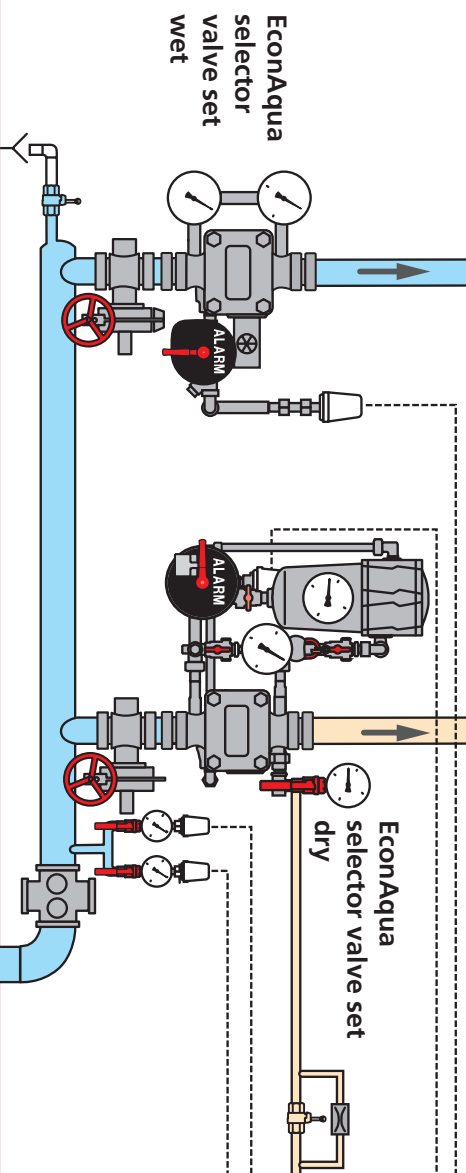


Drypipe system for rooms subject to frost hazard



Extinguishing zones

EconAqua selector valve sets



EconAqua pump room

